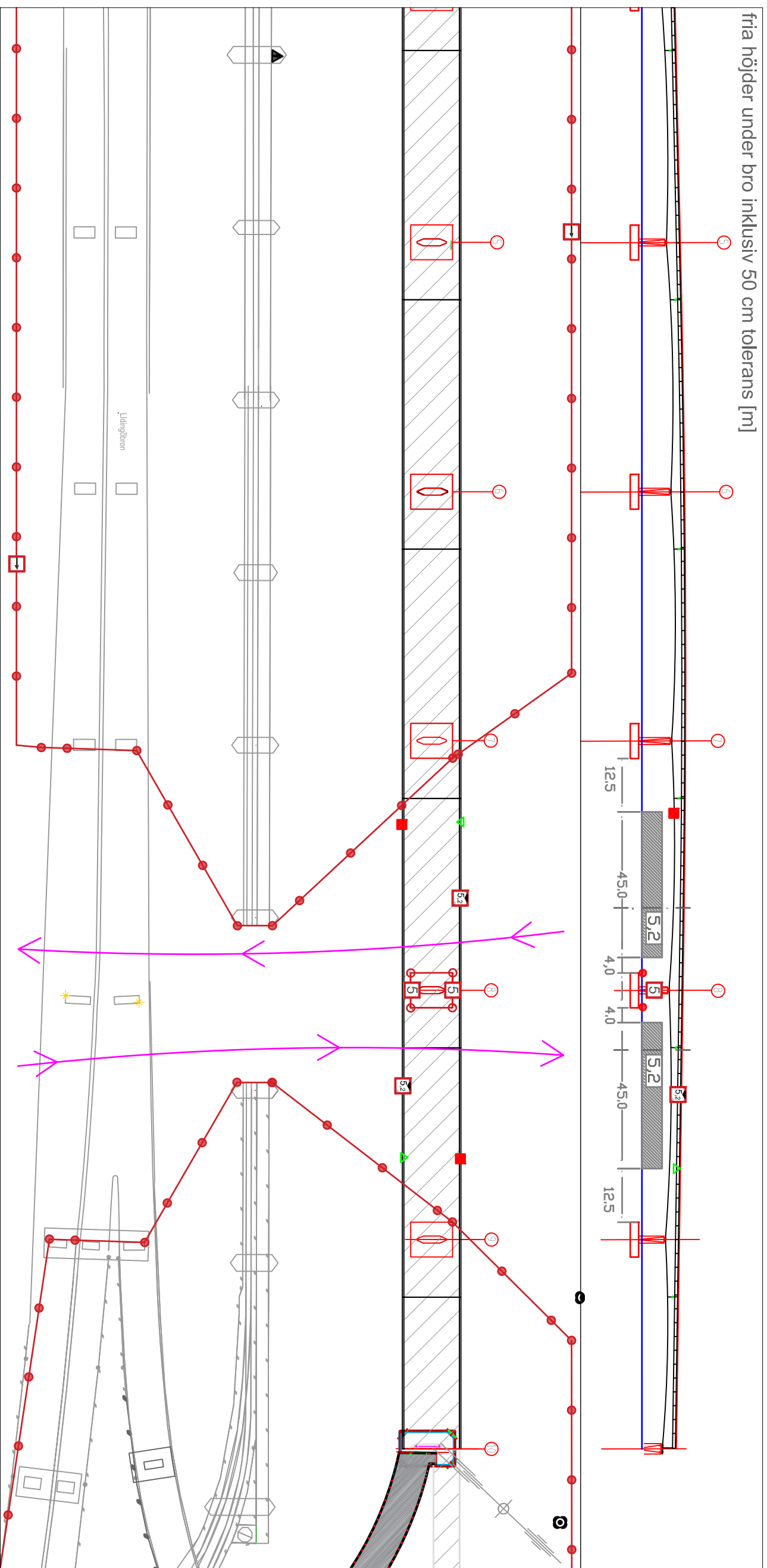
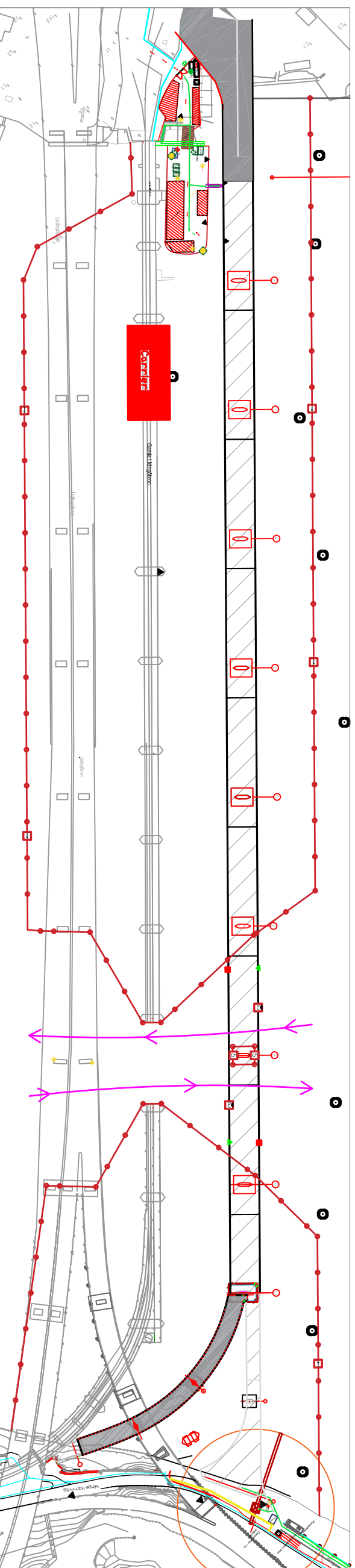


Sjöväg under broarna för perioden: 2023-06-26 - 2023-10-22 (rivning Gamla Lidingöbron)

fria höjder under bro inklusiv 50 cm tolerans [m]



Situation overview



Explanation	
	= First aid kit
	= Defibrillator
	= Assembly point
	= Stretcher
	= Fire extinguisher
	= Life buoy
	= Gate A with ID06
	= Gate with padlock
	= Fence
	= Electricity box
	= Gas
	= Diesel Tank
	= Escape route
	= Construction traffic
	= Civil pedestrian and bicycle traffic
	= Boat traffic
	= No driving allowed
	= Gate B - Turnstile gate with ID06
	= Light
	= Toilet
	= Buoy
	= Fairway signs
	= "Floating barrier"
	= Speed limit sign
	= Crane

Lilla lidingöbron

Drawing: mtfrenz

Checked by: laleksandr

Approved by: kniederdenk

Checked by: alaukkanen

Date: 2023-05-31

Drawing nr: APD 8

Byggarbeten och öppna sjövägar